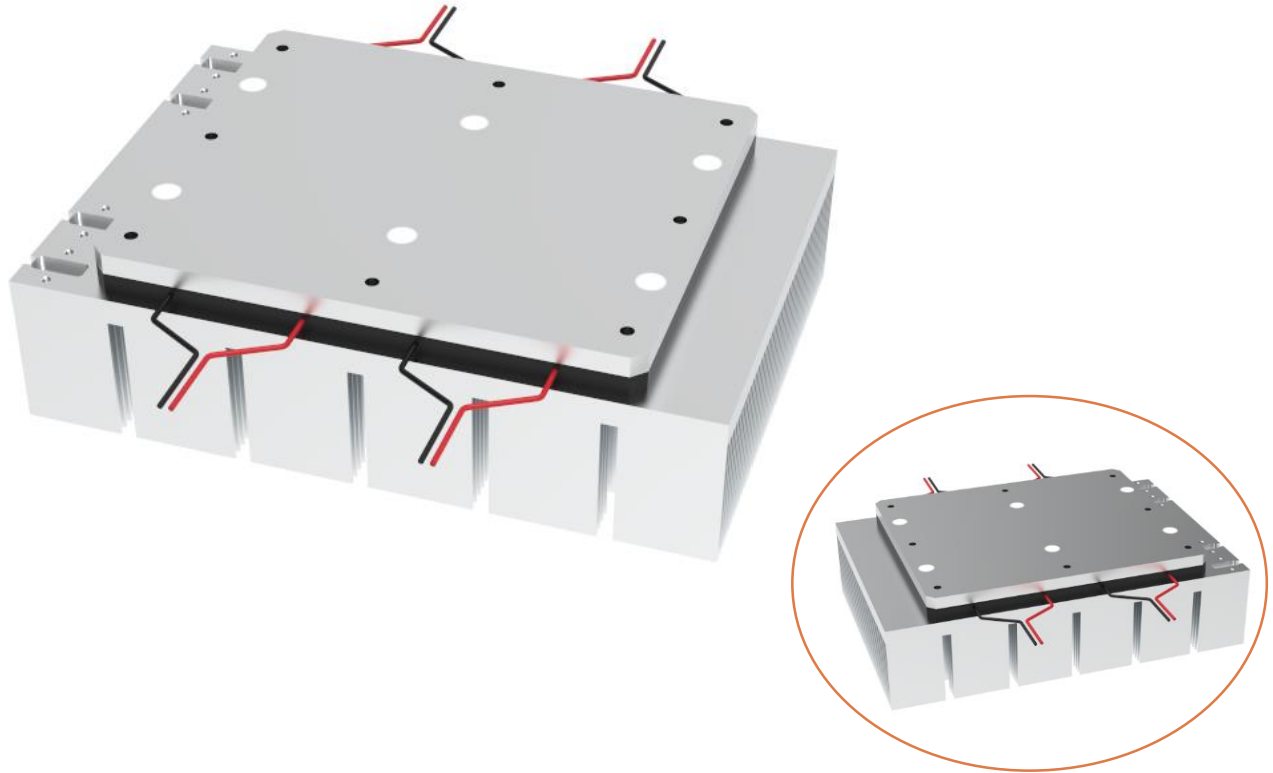


TEJ4-200XEA

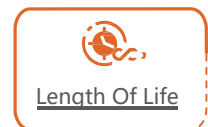
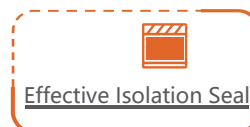
Thermoelectric Cooler Assembly



Product Introduction

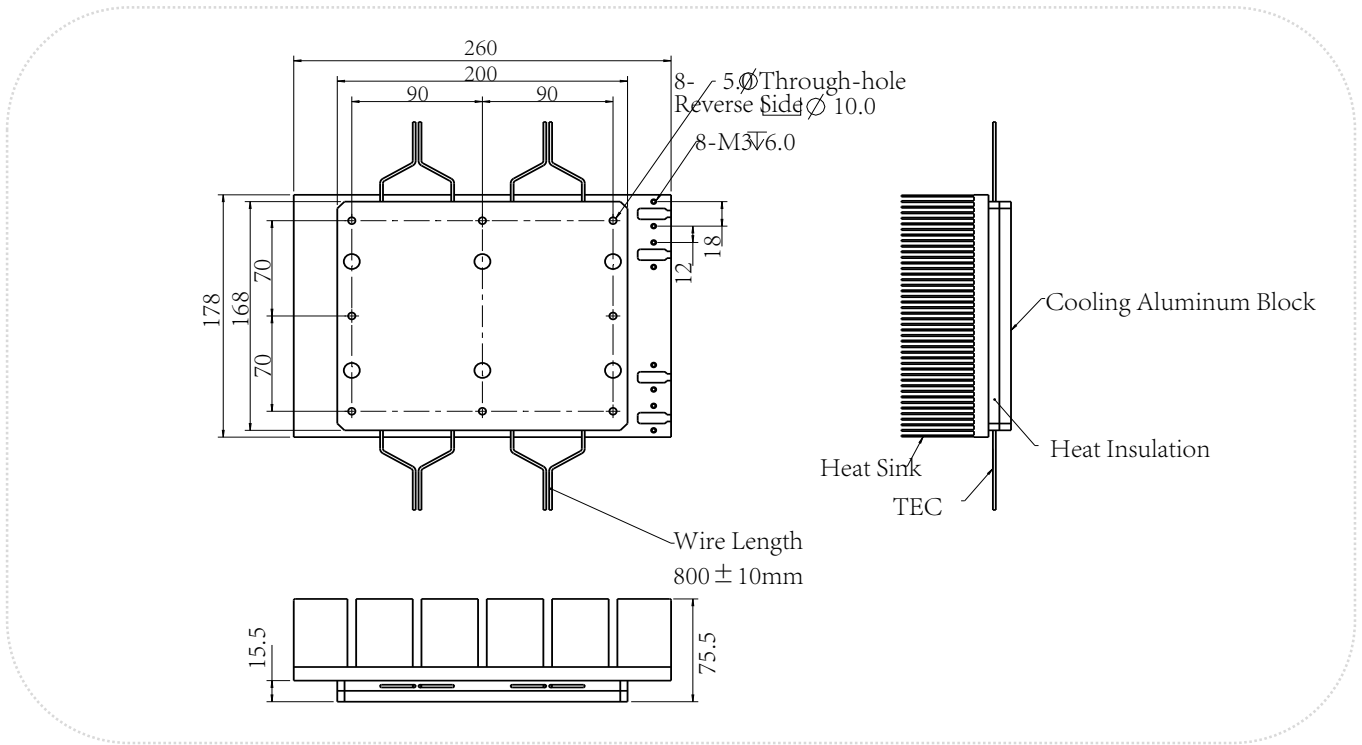
This product is a thermoelectric cooler assembly that utilizes air cooling and cold-side aluminum plate cooling to provide refrigeration capability. It performs heat exchange with the cooled equipment and finds wide application in medical and beauty devices as well as laser equipment. It features a compact design, small size, and high reliability.

Main Features



Shenzhen Huajing Temperature Control Technology Co., LTD

Outline Dimensions



Product Parameters

Name	Air Cooling Assembly		
Model	TEJ4-200XEA		
Operating Voltage (V)	24.0VDC		
Operating Current (A)	12.3A/13.5A		
Cooling Capacity (W)	200W ($\Delta T=0$, $T_h=50^\circ\text{C}$)		
Dimensions (mm, L x W x H)	260 \times 178 \times 76mm		
Operating Temperature ($^\circ\text{C}$)	5 $^\circ\text{C}$ ~40 $^\circ\text{C}$		
Operating Humidity (%)	15%~80%		
Storage Temperature (%)	-20 $^\circ\text{C}$ ~60 $^\circ\text{C}$		
Storage Humidity (%)	15%~80%		
Net Weight (Kg)	3.6Kg		
Applications	Laser/ Numerical control	Medical/ Beauty	Testing