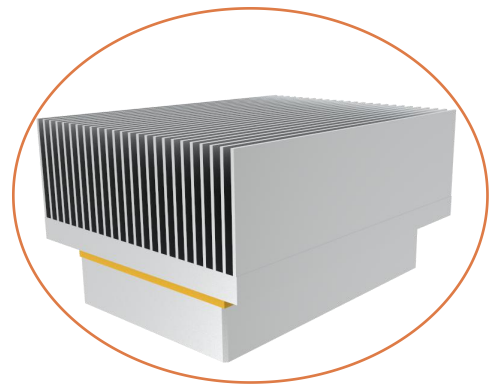
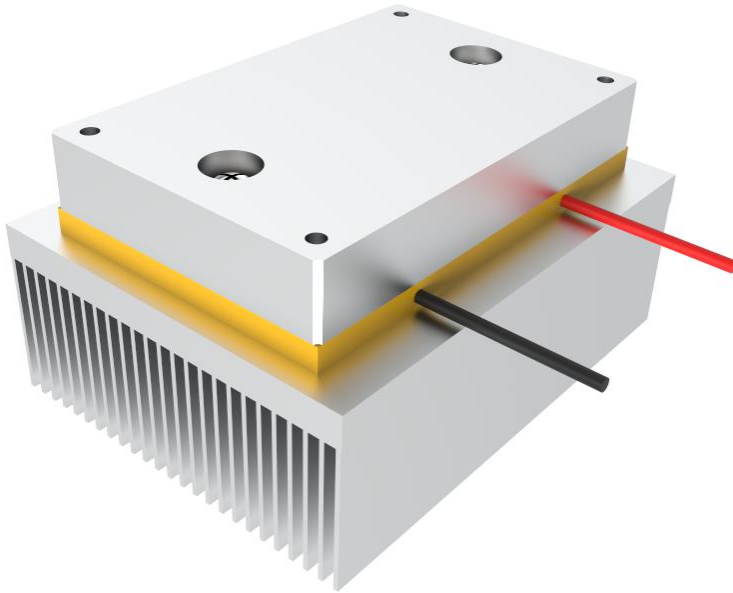


TE64-040XEA

Thermoelectric Cooler Assembly



Product Introduction

This product is a thermoelectric cooler assembly that provides cooling and heat dissipation by directly contacting the cold plate with the cooling object. The heat is then removed from the hot end through forced air cooling. It is widely used in beauty and medical equipment as well as laser devices. It is characterized by its compact design, small size, and high reliability.

Main Features



Modular Design



Compact Structure



High Reliability



Effective Isolation Seal



Length Of Life

Shenzhen Huajing Temperature Control Technology Co., LTD



8/F, Building A1, Qiaode Science Park, No.7 Road, Tianliao Community, Yutang Street, Guangming District, Shenzhen, Guangdong, CN.

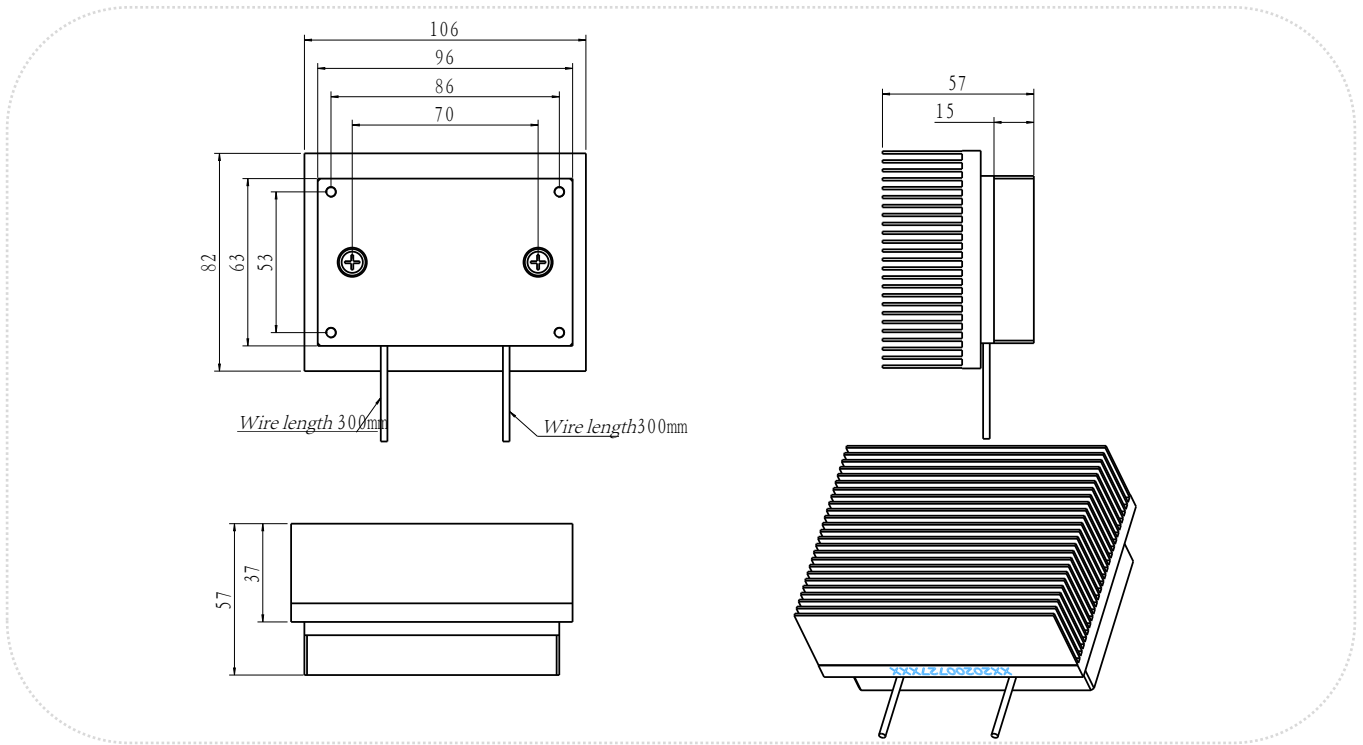


TEL: 0755-23405284






Website: www.huajingtc.com

Outline Dimensions



Product Parameters

Name	Thermoelectric Cooler Assembly
Model	TE64-040XEA
Operating Voltage (V)	24VDC
Operating Current (A)	3.0A/5.0A
Maximum Cooling Capacity (W)	50W (The maximum cooling capacity refers to the cooling capacity when the temperature difference between the cold and hot ends is zero.)
Refrigerant	Deionized Water
Dimensions (mm, L x W x H)	106X82X57mm
Operating Temperature (°C)	5°C~40°C
Operating Humidity (%)	15%~80%
Storage Temperature (%)	-20°C~60°C
Storage Humidity (%)	15%~80%
Net Weight (Kg)	0.8Kg
Applications	 Laser/ Numerical control  Medical/ Beauty  Testing